

FEATURED MODEL

157-088-CR BLANCOGREENBRIER™ Bar Faucet in Polished Chrome

ADDITIONAL MODELS

157-088-ST Stainless (Satin Nickel)

FEATURES

- Solid brass body
- Ceramic disc cartridge
- Color coded hot & cold supply lines
- Reversible mounting hardware adapts to thick or thin mounting surfaces
- 2.2 G.P.M. flow rate
- Installation in a 1-3/8" hole

CODE/STANDARDS COMPLIANCE

ASME A112.18.1-2005

IAPMO Listed


WARRANTY

Blanco America's Bar faucets feature a "NO HASSLE" LIMITED LIFETIME WARRANTY to be free of all manufacturing defects under normal use. See our complete warranty for details.

While Blanco America endeavors to provide accurate information, all dimensions are nominal, cannot be guaranteed, and are subject to change or cancellation. Blanco America assumes no responsibility for use of superseded or voided specifications.

PRODUCT SPECIFICATION

Bar faucet to include decorative lever handle with solid brass body and ceramic disc cartridge. Faucet dimensions to be as follows: Reach: 7"; Spout Height: 6-1/2". Hot and cold supply lines to be color coded. Reversible mounting hardware to adapt to thick or thin mounting surfaces. Bar faucet to be BLANCOGREENBRIER™, Model 157-088-_____in_____finish.

 Polished Chrome 157-088-CR

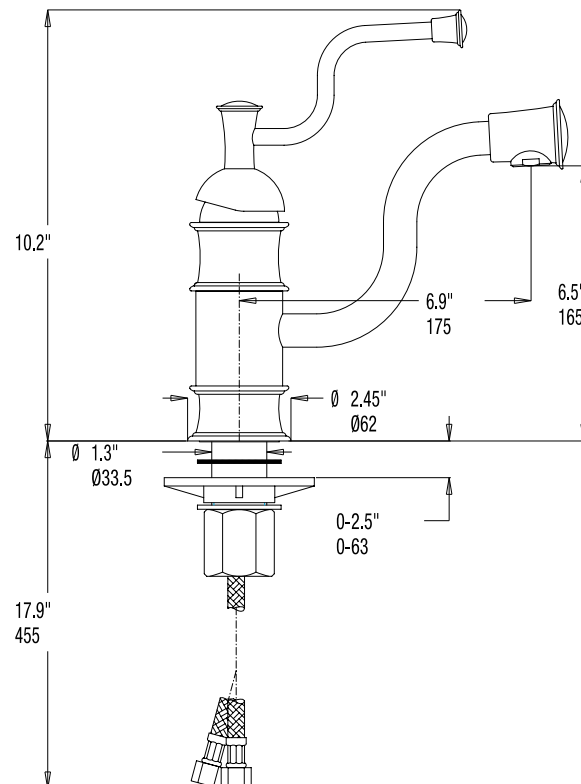
 Stainless (Satin Nickel) 157-088-ST



MODEL 157-088

NOMINAL DIMENSIONS

MODEL	REACH	SPOUT HEIGHT	FAUCET HEIGHT
157-088	7	6-1/2	10-1/4



See next page for exploded parts drawing and parts list.

JOB INFORMATION

Job Name: _____

Contact: _____

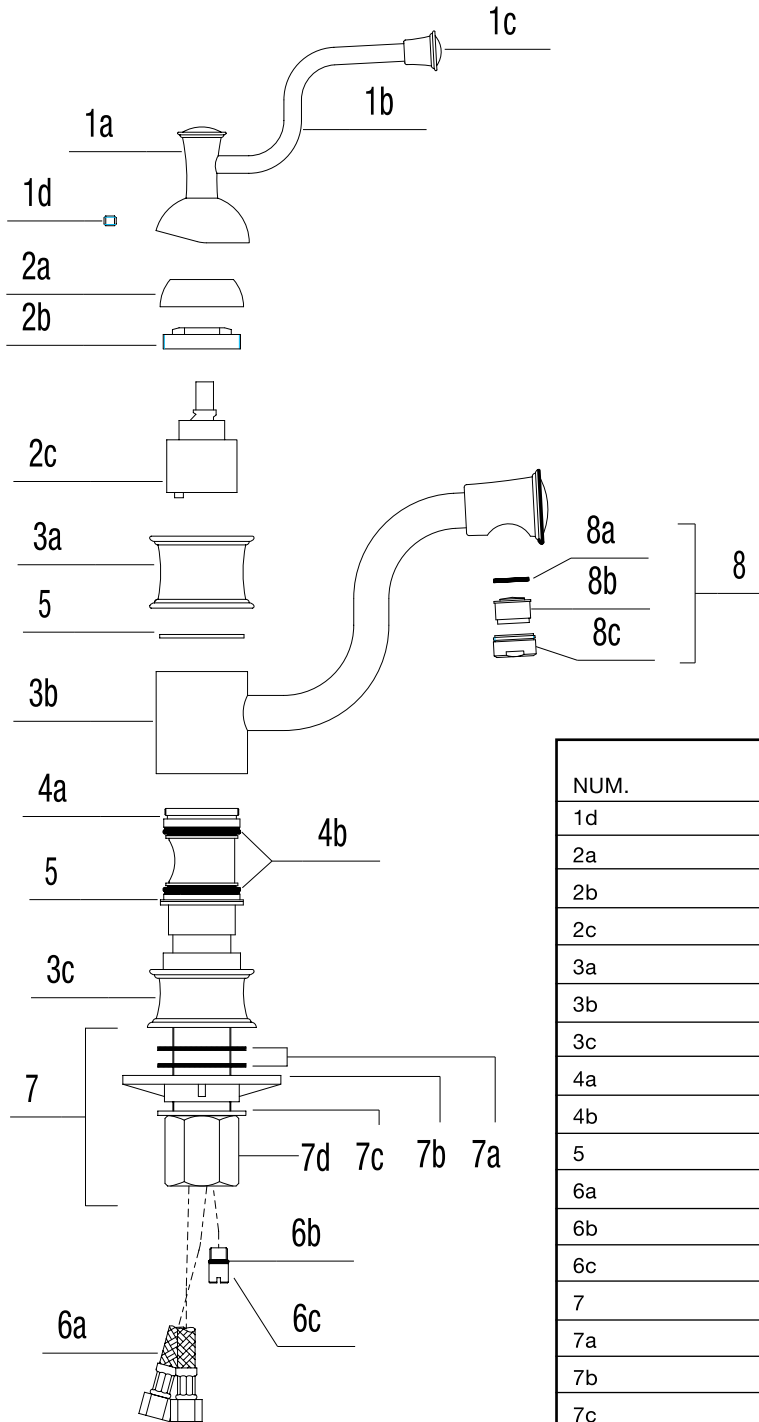
Date Specified: _____

Specifier: _____

Contractor: _____

BLANCO AMERICA
800.451.5782
www.blancoamerica.com

BLANCOGREENBRIER™ MODEL 157-088



NUM.	DOC. PART #	DESCRIPTION
1a	3950	HANDLE BASE
1b	3955	STICK
1c	3956	KNOB

NUM.	DOC. PART #	DESCRIPTION
1d	2058	SCREW
2a	1303	CAP
2b	1304	NUT
2c	2408	CARTRIDGE
3a	3953	HOUSING
3b	3941	BODY
3c	3954	BASE
4a	3952	INNER BODY
4b	012-445-044-040	V-RING
5	1306	TEFLON RING
6a	2350	HOSE
6b	1.78x7.94	O-RING
6c	3161	PLUG
7	1-2359	MOUNTING NUT ASSY
7a	48x34x2	RUBBER WASHER
7b	3109	PLASTIC BASE
7c	2258	METAL WASHER
7d	2359	NUT
8	1-676	AERATOR SET
8a		RUBBER WASHER
8b		SCREEN
8c		AERATOR RING